

4035 24VDC 35LB PUMP KIT
 4035 24VDC 35LB KIT DE BOMBA
 4035 24VDC 35LB KIT POMPE

Parts and Technical Service guide
 Guía de servicio técnico y recambio
 Guide d'instructions et pièces de rechange

Ref.: 4035

Description/ Descripción/ Description

E

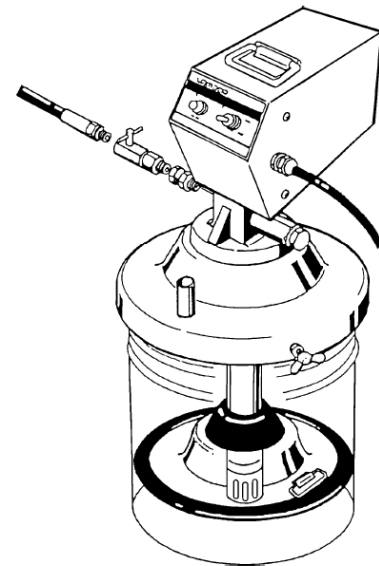
This is a portable dispenser for grease lubrication of machines and vehicles. The pump is driven by DC-24V. This pump cannot be used for lubricating oils. This pump is valid for grease rated NLGI #2 or lower. If this machine is used in an extremely cold or low-temperature environment or with any grease exceeding NLGI #2, the discharge volume will be remarkably lowered. Silicone grease is not applicable.

SP

Esta máquina es un dispensador portátil para lubricación con grasa de las máquinas y los vehículos. La bomba está impulsada por DC-24V. Esta bomba no se puede utilizar para los aceites lubricantes. Esta bomba es válida para evaluado grasa NLGI # 2 o inferior. Si este equipo se utiliza en un contexto extremadamente fría o baja temperatura ambiente o con cualquier grasa superior a NLGI # 2, la aprobación de la gestión del volumen se redujo notablemente. Grasa de silicona no es aplicable.

FR

Cette machine portable est un distributeur de lubrification à la graisse de machines et de véhicules. La pompe est alimentée par DC-24V. Cette pompe ne peut pas être utilisé pour les huiles lubrifiantes. Cette pompe est valable pour graisse NLGI # 2 cotés ou plus bas. Si cette machine est utilisée dans un froid extrême ou à basse température, ou avec n'importe quel environnement de graisse NLGI dépassant # 2, le volume de la décharge sera abaissé remarquablement. Graisse silicone n'est pas applicable.



Installation - Operation/ Instalación – Modo de empleo/ Installation – Mode d'emploi

E

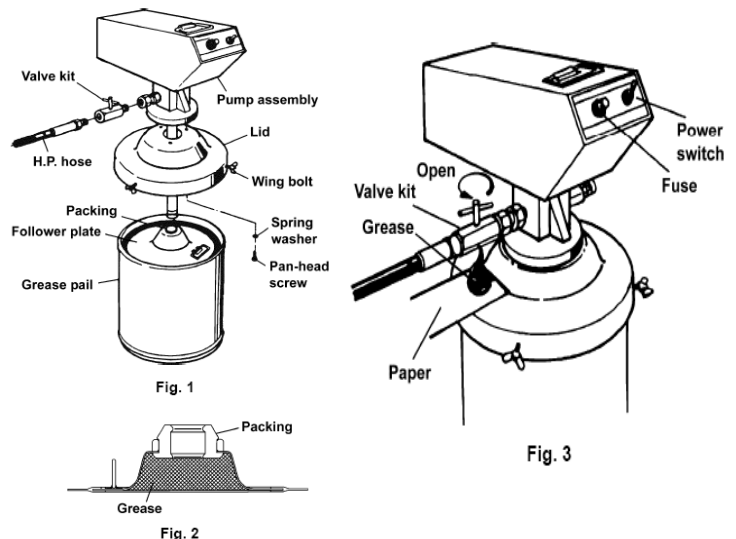
Assemble the components of the pump as shown in Fig. 1. Insert the follower plate as shown in Fig. 2. Turn the pump on and bleed the grease until it is clear as shown in Fig. 3. The pump is now ready for use.

SP

Ensamblar los componentes de la bomba como se muestra en la Fig. 1. Inserte el seguidor placa tal y como se muestra en la Fig. 2. Encender la bomba de purga y la grasa hasta que quede claro como se muestra en la Fig. 3. La bomba está lista para su uso.

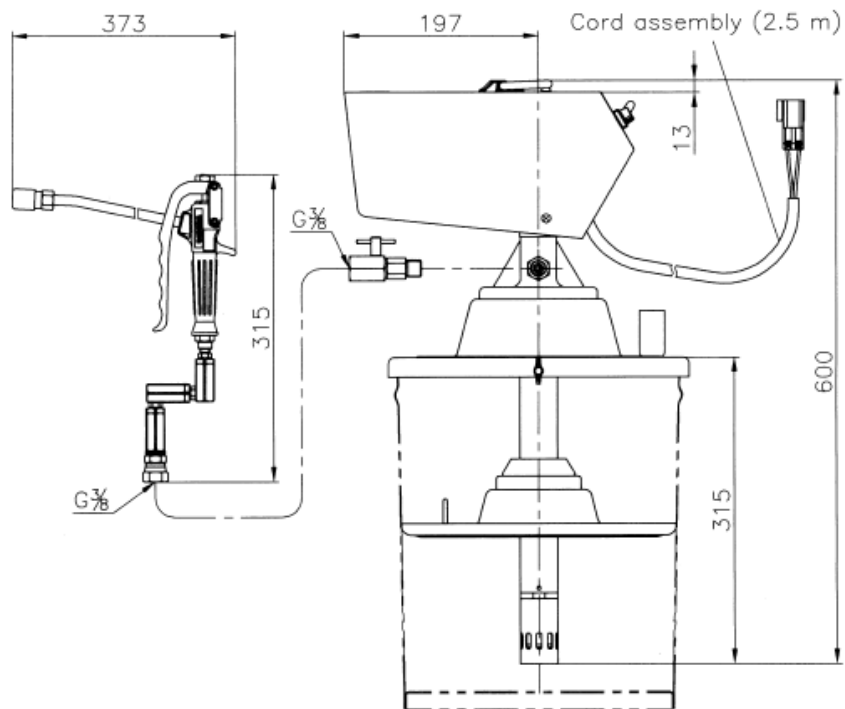
FR

Assemblez les composants de la pompe, comme indiqué dans la Fig. 1. Insérez le suiveur plaque, comme l'illustre la fig. 2. Activer la pompe et saigner jusqu'à ce que la graisse, il est clair que l'illustre la fig. 3. La pompe est maintenant prête à l'emploi.



Technical data/ Datos técnicos

Rating	Continuous rating	30 minute rating
Discharge volume	80 ~ 120 g/min	70 ~ 80 g/min
Discharge pressure	0 ~ 27 MPa	24 ~ 28 MPa
Max discharge pressure	28MPa (30 minute rating)	
Revolution per hour	95 ~ 108 RPM	
Power supply	DC-24 V, 100 ~ 130 W/2.0 ~ 7.5 A	
Vibration resistance	4 G	
Applicable grease	NLGI No.0 ~ 2	
Applicable temperature	-10 °C ~ 40 °C	
Weight	12 kg	

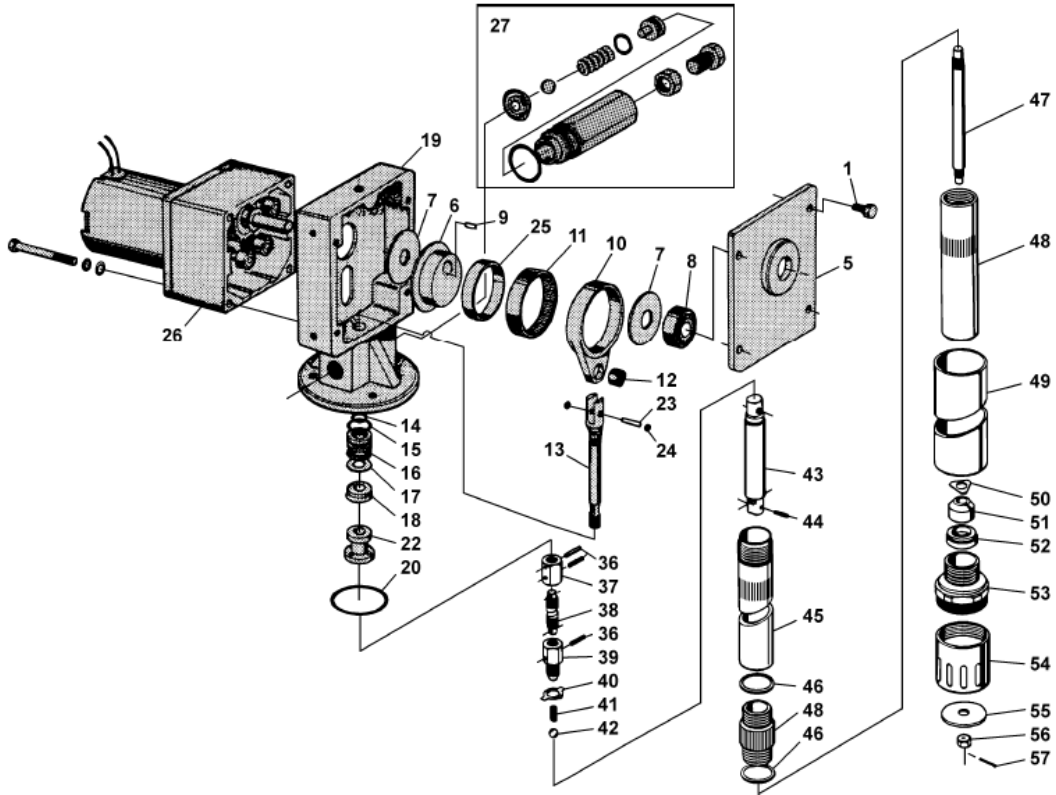


4035	2
------	---

Special Diagnostic Procedures

Symptom	Contents of inspection	Corrective measure
◆ The pump fails to start.	<ul style="list-style-type: none"> - Check if the power cable is cut. - Check if the fuse is blown. - Uninstall the lower pump and operate only by the motor. <p style="text-align: center;">↓</p> <p>(Separate the lower pump and operate the pump with only the motor.)</p> <ul style="list-style-type: none"> → If the pump is operated, the lower pump is defective. → If the pump is not operated, the motor is defective. 	<ul style="list-style-type: none"> - Change to the new cable. - Change to new fuse (10A). - Repair service for the lower pump. - Repair service.
◆ The pump is operated but does not feed the material by pressure.	<ul style="list-style-type: none"> - Check if the delivery hose and grease gun is clogged up. - Check if the grease is ran out. - Check if the grease does not touch to the pump suction because of cavity or diagonal installation of the follower plate. - Uninstall the lower pump and operate only by the motor. 	<ul style="list-style-type: none"> - Remove the cause of clogging. - Replace to the new pail. - Install the follower plate horizontally and push down till the grease comes out from the packing. Then operate the pump again. - Check the lower pump.
◆ The pump is operated but the pressure and flow rate are insufficient.	<ul style="list-style-type: none"> - Check if leakage is found on the connection of valve kit, hose and gun. - Check if the relief valve is loosens. - Check if the valve seat at lower pump is worn out. 	<ul style="list-style-type: none"> - Tighten the connections - Adjust the relief valve at proper position. - Change to new valve seat.
◆ Grease leaks from the motor.	<ul style="list-style-type: none"> - Check if the seal packing between motor and material pump is worn out. 	<ul style="list-style-type: none"> - Change to new seal packing.
◆ The pump makes noise.	<ul style="list-style-type: none"> - Check if foot valve is stuck by foreign substance. 	<ul style="list-style-type: none"> - Remove the foreign substance.

Exploded Parts



REF.No.	Parts No.	Description	Q'ty	REF.No.	Parts No.	Description	Q'ty
1	682262	Bolt	4	36	702971	Pin	3
5	831615	Cover assembly	1	37	706091	Union	1
6	710807	Cam	1	38	709643	Rod	1
7	710805	Stopper	2	39	702975	Union	1
8	682993	Ball bearing	1	40	702974	Washer	1
9	710806	Key	1	41	702976	Spring	1
10	710811	Ring	1	42	630313	Ball	1
11	682995	Needle bearing	1	43	803250	Cylinder assembly	1
12	682996	Ball bearing	2	44	632754	Spring pin	1
13	831660	Connecting rod	1	45	709642	Suction tube	1
14	640009	O ring	1	46	702977	Washer	2
15	640014	O ring	1	47	706399	Plunger rod	1
16	710813	Bush	1	48	706072	Foot tube	1
17	771405	Back up ring	1	49	710815	Out tube	1
18	771418	Packing	1	50	702980	Valve ring	1
19	710810	Crank case	1	51	771404	Foot valve	1
20	640037	O ring	1	52	702982	Valve seat	1
22	710896	Packing retainer	1	53	830407	Valve adapter	1
23	710808	Pin	1	54	712043	Tube	1
24	630779	Stop ring	2	55	702984	Plate	1
25	682994	Inner case	1	56	627010	Nut	1
26	683039	Motor assembly	1	57	632019	Spring pin	1
27	802587	Relief valve assembly	1				