

**4000 SERIES BATTERY POWERED RECHARGEABLE GREASE GUN  
ARMA DE GRASA RECARGABLE CON PILAS DE 4000 SERIES  
PISTOLET DE GRAISSE RECHARGEABLE À PILES DE 4000 SÉRIES**

Parts and Technical Service guide  
Guía de servicio técnico y recambio  
Guide d'instructions et pièces de rechange

Ref.: **4014-14.4V  
4018-18V**

**Description/ Descripción/ Description**

**E**

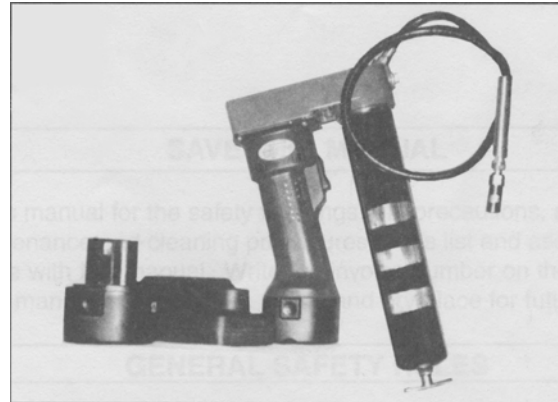
This is a rechargeable cordless grease gun, battery operated.

**SP**

Esto es un arma de grasa sin cuerda recargable, con pilas.

**FR**

C'est un pistolet de graisse sans fil rechargeable, à piles.



**Installation - Operation/ Instalación – Modo de empleo/ Installation – Mode d'emploi**

**E**

- 1) Plug the battery charger into a wall socket and insert the battery into the charger.
- 2) The green light on the charger will come on.
- 3) Press the 'SET' button on the charger and the green light will go out and the red 'Charge' light will come on.
- 4) When the red light goes out and the green light comes back on the battery is charged and ready for use.
- 5) **CHARGE THE BATTERY FOR ONE HOUR BEFORE USING THE GUN.**
- 6) It is normal for the battery to become warm during use. Recharging a warm battery will not allow for a full charge to develop in the battery and will decrease its life cycle. Allow the battery to cool before recharging it.
- 7) Load the grease cartridge and pull the trigger to dispense grease.



**SPECIAL CAUTION:**

**This gun has an external grease bypass system that vents grease from the head of the gun when the grease fitting is clogged.**

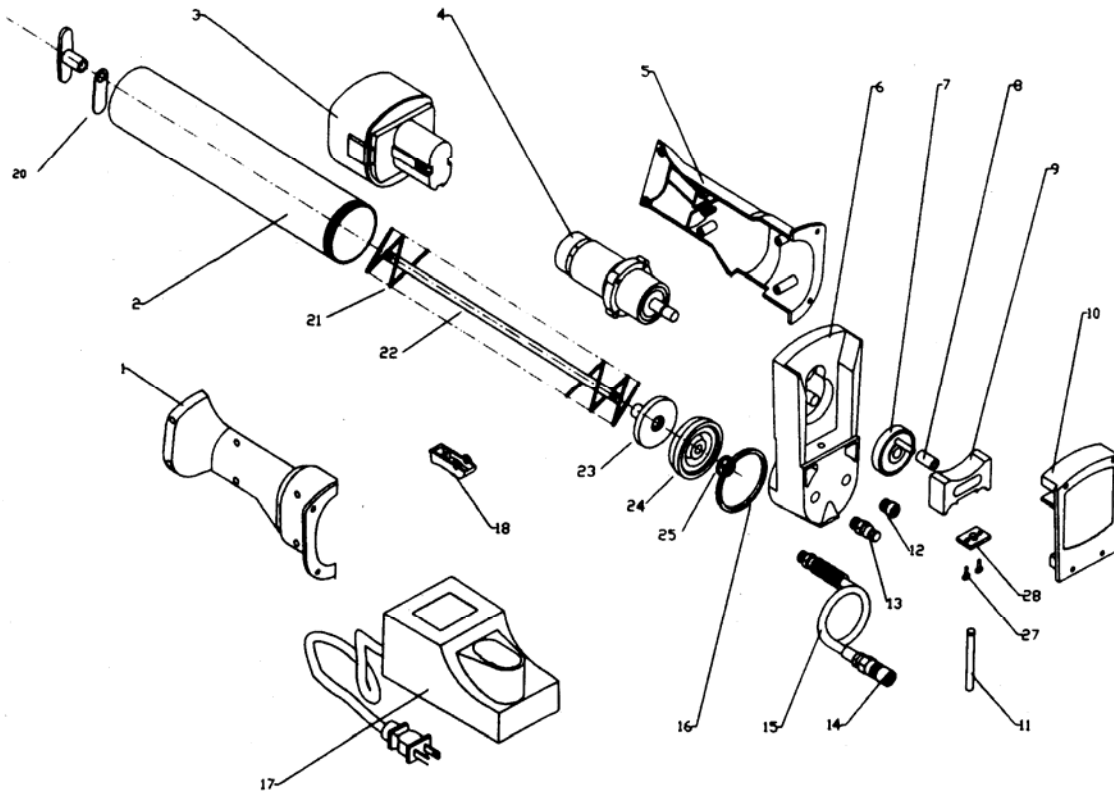
**WHEN GREASE STARTS BYPASSING OUT OF THE HEAD OF THE GUN STOP!  
Continuing to pull the trigger will damage the gun.**

4000RGG 1

## Spare Parts/ Piezas de Repuesto

DRAWING NUMBER	PART NUMBER	DESCRIPTION	GUN #
3	4024	14.4V RECHARGEABLE BATTERY	4014 14.4V
3	4028	18V RECHARGEABLE BATTERY	4018 18V
17	4025	14.4V BATTERY CHARGER	4014 14.4V
17	4029	18V BATTERY CHARGER	4018 18V

26: CARRYING CASE NOT SHOWN.



## Troubleshooting / Localización de averías

Symptoms	Possible Reasons	Solutions
Gun runs slow. Gun does not run.	Battery charge too low. Grease fitting clogged. Grease fitting corroded.	Recharge the battery. Replace the fitting.
Grease comes out of the FRONT of the gun.	Grease fitting clogged. Grease fitting corroded.	Replace the fitting.
Gun runs but no grease comes out.	No grease in gun. Air pocket in grease tube.	Put in a new cartridge or bulk fill the tube. Partially unscrew tube until a ring of grease forms at the treads, then retighten the tube.
No lights on charger.	No electricity at the wall socket.	Check the breaker panel.