

SERVICE INSTRUCTIONS AIR GREASE GUN

SAMSON

**MODEL
1230**

DESCRIPTION

The pistol-style, single-shot Air Grease Gun is a specially designed, high-quality and professional air tool, made of the best materials and ideal for lubricating maintenance for transportation implements, agricultural machinery and industrial equipment etc.

FEATURES & FUNCTIONS

- Fine-treated surface includes chrome-plated surface and enamel-baked surface.
- As the acute angle design reduces the load distance and concentrates the center of gravity between Finger grip and Container tube, it is portable in operation and arm not subject to be tired. (See Fig 1)
- Owing to the acute angle design, it can allow wide-angle operation in narrow space. (See Fig 1)
- Air vent valve allows the trapped air in the tube to escape after filling grease. (See Fig 2)
- Filler plug is used for lubricants filling from filler pump. (See Fig 2)
- With pressure in the range of 30 to 150 PSI generated from the air compressor, it can deliver 1 200 to 6000 PSI each time the trigger is pressed.
- As the gun head is made of light metal, it is lighter than any other Air-gun. Its weight is only 1.65 KGS.
- Finger grip is convenient for holding in operation.
- Three ways of grease loading available, Cartridge loading (with standard 16 oz grease cartridge), Suction filling and Loading with filler pump.
- Trigger should be pressed thoroughly during operation.
- Add oil daily through Air Fitting before use.
- If your gun fails to work, it is due to air packets in the gun. To remove the air, unscrew the gun head 1 to 1-1/2 turns and acted as follow:

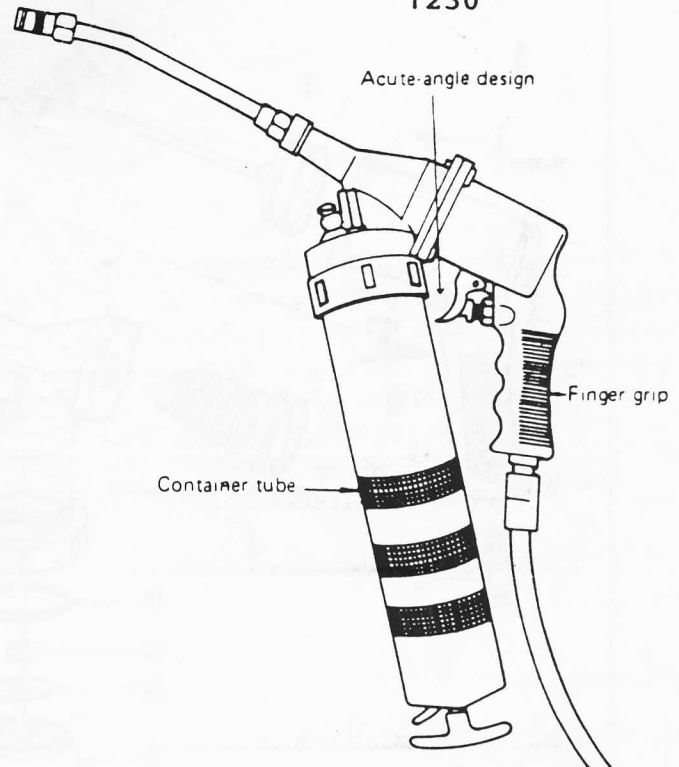


Fig 1: AIR GREASE GUN

- Step 1: Draw back plunger rod fully and release quickly. Repeat several times. This will help exert force to move the rubber ring to enter the cartridge which is essential for a grease gun to work. Push plunger rod all the way in. Tighten the head to the barrel.

- Step 2: Pressed Air vent valve several times to flee the air.
Now your grease gun is ready to use.

INSTRUCTIONS FOR THE THREE LOADINGS

CARTRIDGE LOADING (See Fig. 3)

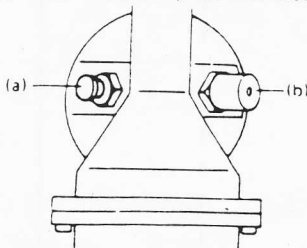
- Remove the gun head from the container tube.
- Draw back the plunger handle entirely.
- Insert open end of cartridge into container tube and push all the way in. Remove the seal or pull tab end from the cartridge.
- Reassemble the gun head to the container tube. Press the catch plate and release the piston rod. Pull down the plunger handle.

SUCTION FILLING (See Fig. 4)

- Remove the gun head from the container tube.
- Submerge open end of the container tube into grease bucket about 2" deep and pull the plunger handle out slowly and engage rod into key slot.
- Reassemble the gun head to the container tube. Press the catch plate and release the piston rod. Pull down the plunger handle.

LOADING WITH FILLER PUMP (See Fig. 5)

- Draw back the plunger handle entirely.
- Insert filler plug into the filler pump socket.
- Operate the filler pump to fill the container tube.
- Disconnect the grease gun from the filler pump.
- Press the catch plate and release the piston rod. Pull down the plunger handle.



**Fig. 2: (a) Air vent valve
(b) Filler plug**



Fig. 3: Cartridge loading



Fig. 4: Suction filling

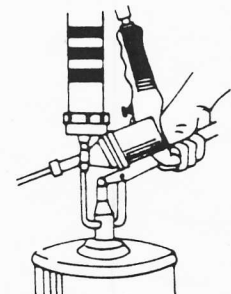


Fig. 5: Loading with filler pump

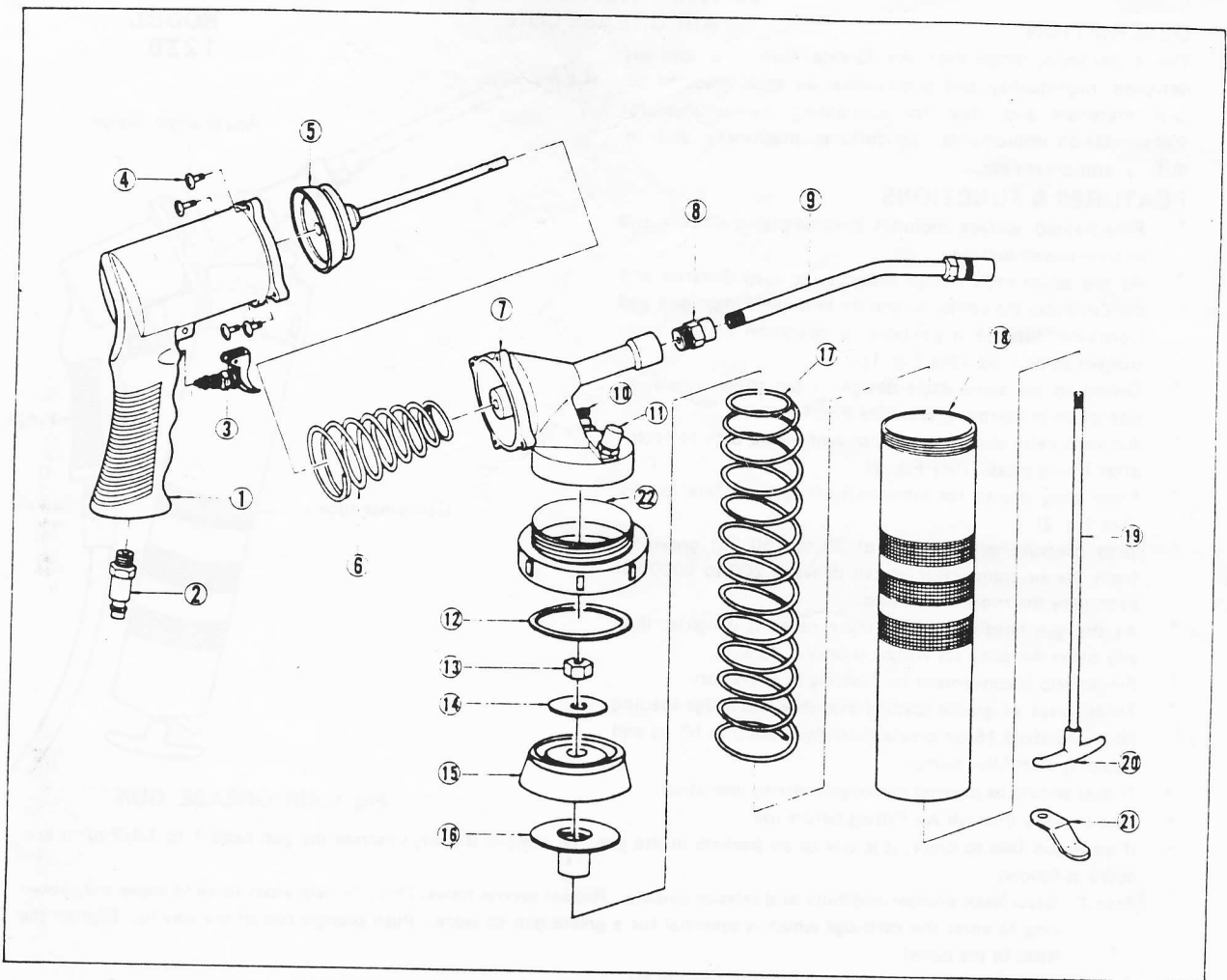


Figure 2. Air Grease Gun

PARTS LIST

PART NO.	DESCRIPTION	Q'TY
1	Finger Grip	1
2	Air Fitting	1
3	Trigger	1
4	Body Screw	4
5	Air Plunger	1
6	Short Spring Kit	1
7	Housing Cap	1
8	Adapter	1
9	Hexagonal Spout	1
10	Air Vent Valve	1
11	Filler Plug	1
12	Gasket	1
13	Plunger Nut	1
14	Plunger Washer	1
15	Plunger	1
16	Backlash Gasket	1
17	Long Spring Kit	1
18	Container Tube	1
19	Piston Rod	1
20	Plunger Handle	1
21	Catch Plate	1
22	Container Adapter	1